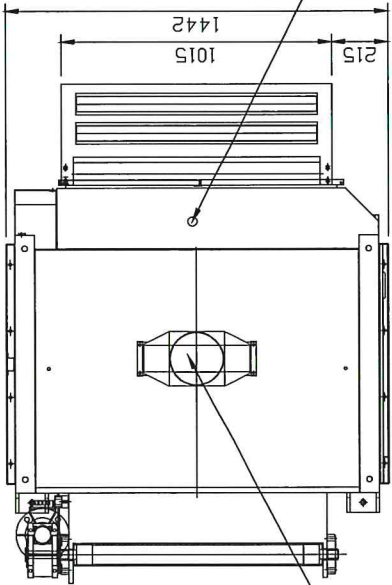
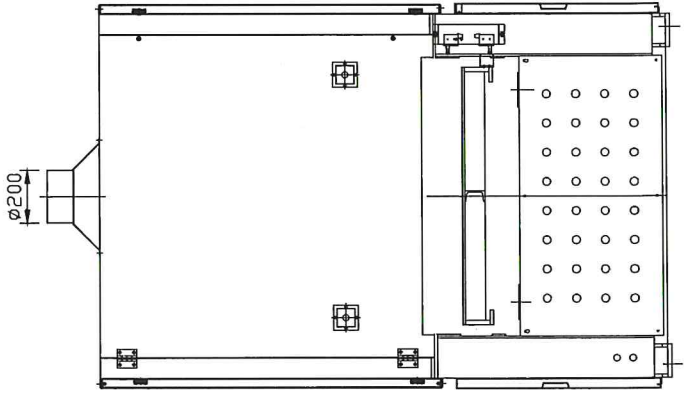
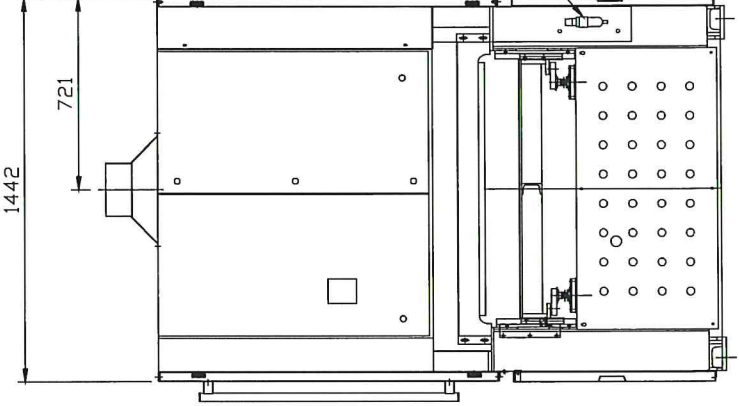
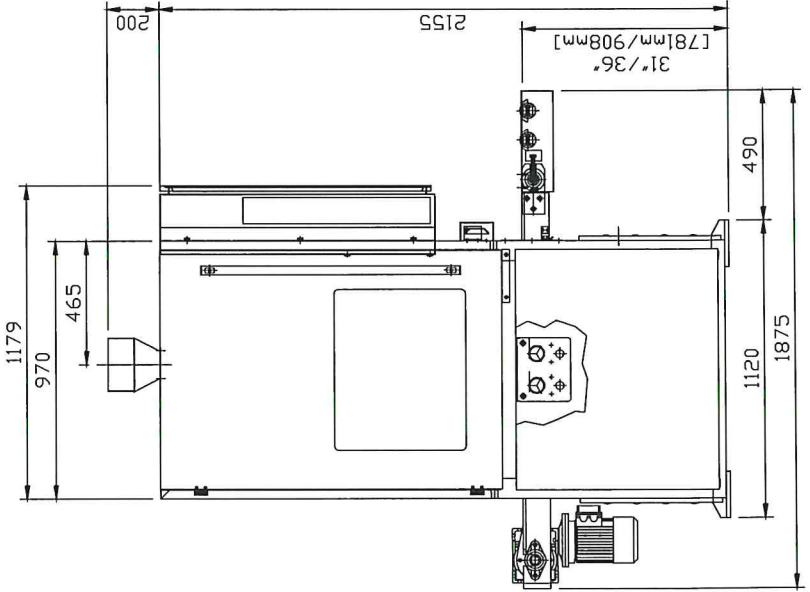


HP	VOLT	FULL LOAD AMPS	KW	HZ
20HPx2P/4P	400	26.32/14.44A	15/7.5	50
15	400	20.52A	11	50
2	400	3.63A	1.5	50
1/2	400	1.18A	0.37	50
1/4	400	0.75A	0.18	50



10" (253mm) O.D.
2750 CFM (4675 M³/H)
AT 5" WATER COLUMN



INFEEED VIEW

OUTFEED VIEW

SCALE	1 : 19	NAME	DATE	USED
UNITS	mm	JOYCE	09-29-2017	DN
MATERIAL		ENGINEER		NUMBER
		TITLE	DIMENSIONAL	00190441
			2221-23-04	

